

Product advantages

- Suitable for an installation inline, small height difference of 6,5 cm
- Simple and flexible connections with standard pipes
- Low maintenance required, because of self-cleaning filter-effect
- Unlimited durability due to stainless steel filter cartridge



Equipment

- minimal fall between water inlet and filtered water outlet, approx. 6,5 cm
- filter with interlaminar high-grade stainless steel cartridge, fine filtration down to 0,35 mm
- 90% efficiency
- flexible installation depth
- special extendable handle for filter cartridge maintenance
- self-cleaning while raining
- according to DIN 1986

Application

IRM®-Inline-Filter

Self-cleaning filter for rainwater harvesting systems, for subterranean installation inline with the drainage pipeline, height difference between inlet and filtered water outlet 6.5 cm.

Up to 450m² roof space connectable, efficiency 90%, pedestrian duty, frost resistant.

Filter with interlaminar high-grade stainless steel cartridge, fine filtration down to 0,35 mm, special extendable handle for filter cartridge maintenance.

The outlet for dirt and residual water can be turned in 60° steps to ensure a flexible connection to drainage pipe systems.

Material:

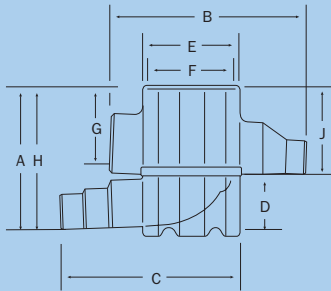
Filter body made in polyethylene (PE)
Filter cartridge in stainless steel

Connections:

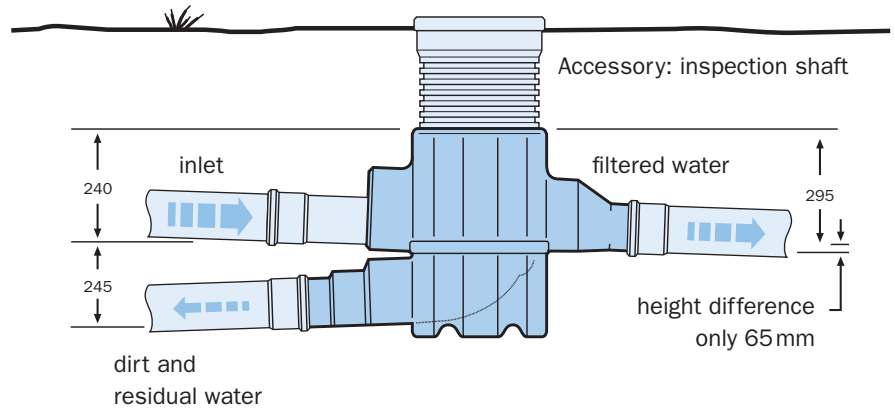
inlet:	DN 150 (150 mm)
filtered rainwater outlet:	DN 100 (100 mm)
dirt and residual water outlet:	DN 100/125/150 (100 mm, 125 mm, 150 mm)
Inspection opening:	DN 360 (360 mm)

Measurements

IRM®-Inline-Filter	
A height mm	510
B width mm	790
C width mm	690
D height mm	210
E width mm	430
F width mm	360
G height inlet	235
H height residual water mm	485
J height "filtered water" mm	295

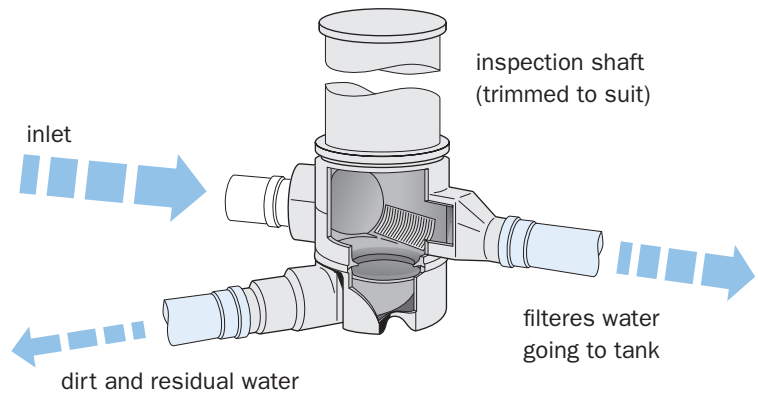


Connections and installation measurements



Measurements in mm

Function



Accessories

- Extension shaft**
 specially developed extension shaft, length 750 mm, can be trimmed to suit and easily assembled
- Dummy filter grid**
 prevents water entering the storage tank (e.g. in times of installation or maintenance of storage tank)
- Filter cleaning modul**

Art.-No.	Description	PG
10745	IRM®-Inline-Filter	1
Accessories		
10746	Inspection shaft 0,75 m	1
11183	Dummy filter grid for Inline-filter	1
11923	filter cleaning modul (function only in connection with RME)	4