

Drainex 500 Drainage



Submersible monobloc pumps, Vortex system

Applications

In water treatment facilities.
 Pressurised drainage systems.
 Drainage of faecal water from housing and garages.
 Drainage for water with solids in public establishments, restaurants, etc.
 General drainage systems in industry, farms, farms, livestock farms, excavations, garages and civil engineering works. Drainage of cesspits and septic tanks. Atex version for installing in the facilities described in the Atex regulations (II 2G d II B T4).

Materials

Pump body and impeller in cast iron.
 Double mechanical seal: on the pump side in silicon carbide and on the motor side in graphite/aluminium oxide with an intermediate oil chamber.
 Motor shaft in AISI 420 stainless steel.
 AISI 304 stainless steel screws.
 O-rings in NBR.

Motor

Asynchronous, 2 pole.
 IP 68 protection. Class F insulation.
 Continuous operation (fully submerged).
 Atex II 2G version. Ex d II B t4.
 Atex version is supplied with a humidity sensor and thermal protection in case the motor overheats.
 To ensure full protection, we recommend you install the appropriate protection and control panels.

Equipment

Supplied with 10 m of power cord.
 Level switch (optional, for connecting to electrical panel).

Limitations

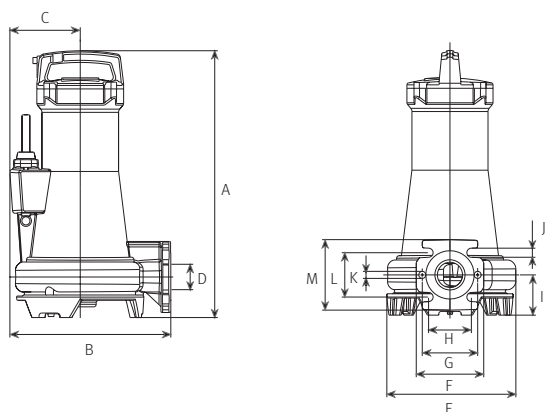
Solids passage \varnothing up to 40 mm with a DN 50 impeller.
 Maximum immersion depth 9 metres.
 Maximum number of start-ups 15 per hour.
 Maximum temperature: 40°C.



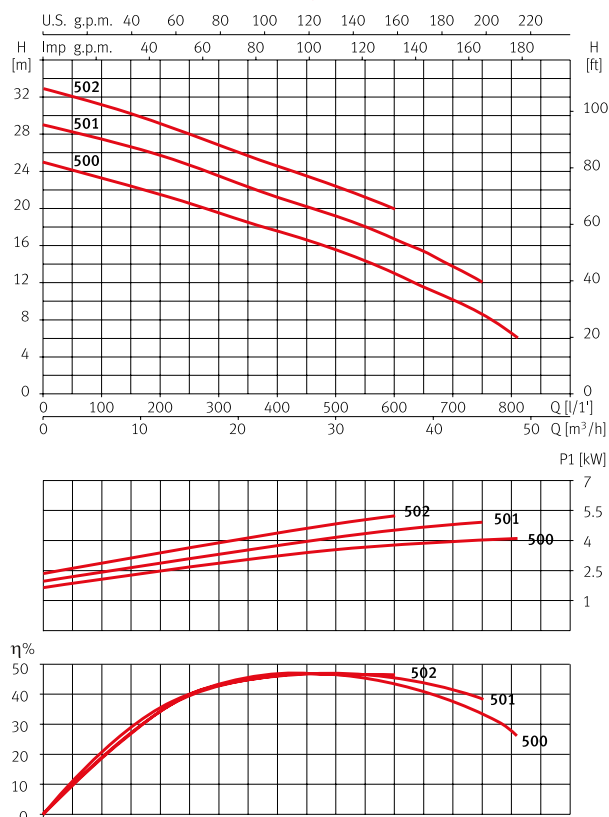
Dimensions and weights

Model	A	B	C	D	E	F	G	H	I	J	K	L	M	kg
Drainex 500	526	317	139	$\varnothing 50$	256	134	110	85	80	18	$\varnothing 14$	88	140	55
Drainex 501	526	317	139	$\varnothing 50$	256	134	110	85	80	18	$\varnothing 14$	88	140	55
Drainex 502	526	317	139	$\varnothing 50$	256	134	110	85	80	18	$\varnothing 14$	88	140	55

Impeller ext. \varnothing : Drainex 500: 140 mm. Drainex 501: 150 mm. Drainex 502: 160 mm.



Performance curves at 2900 rpm



Hydraulic performance table

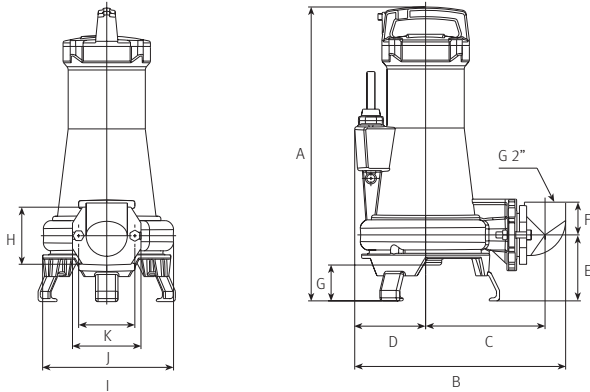
Model	I (A)	P1 (kW)	P2		l/min	100	300	400	500	600	750	810
	3~400 V	3~	(kW)	(HP)		m³/h	6,0	18	24	30	36	45
Drainex 500	7,2	4,2	3,7	5	mwc	23,2	19,7	17,6	15,6	13	8,5	6
Drainex 501	8,3	5	3,7	5		27,4	23,5	21,2	19,1	16,8	12	
Drainex 502	8,7	5,3	3,7	5		30,1	26,8	24,5	22,2	20		

Drainex 500 Drainage



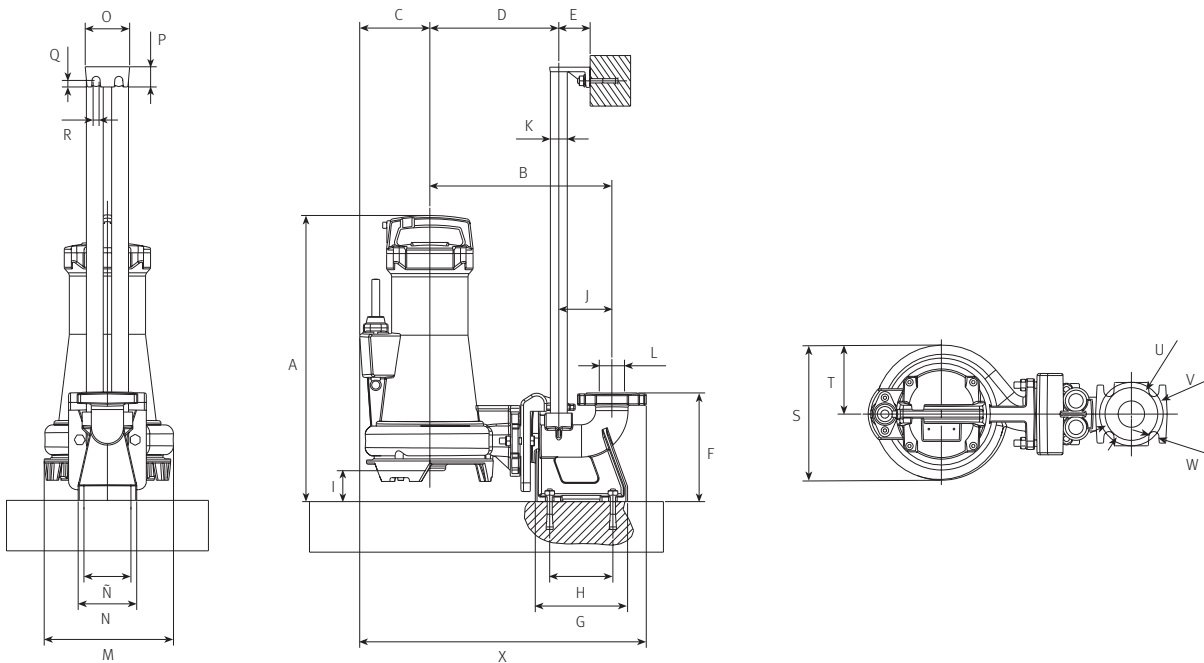
Portable version

A	B	C	D	E	F	G	H	I	J	K
575	412	234	139	129	64	70	110	256	134	110



Fixed version

A	B	C	D	E	F	G	H	I	J	K	L	M	N	Ñ	O	P	Q	R	S	T	U	V	W	X
566	360	139	255	62	215	182,5	125	61	105	1"	Ø50	256	116	93	88	40	13	12	256	131	100	120	19	566,5



Accessories

Portable version

DR3 Kit
DN 50 (flange 50)



Support base with elbow for automatic anchoring

ANSI 150 2"



Upper anchoring on double guide tube

Fixed versión

DR6 Kit



90° elbow at 2"



Stainless steel feet